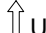
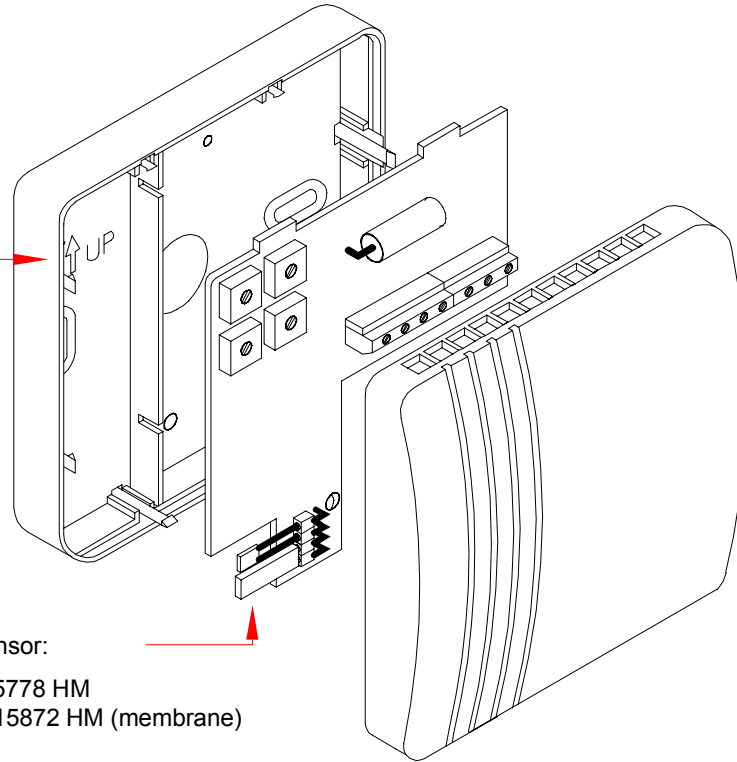


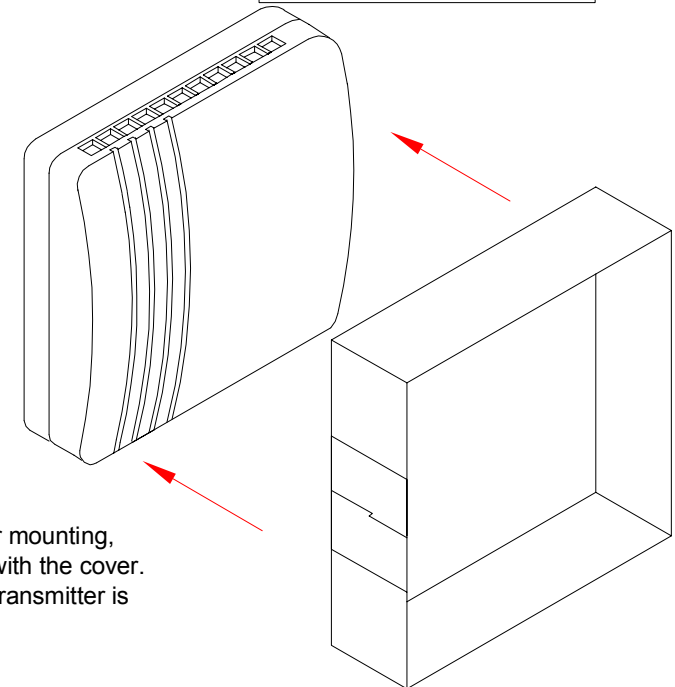
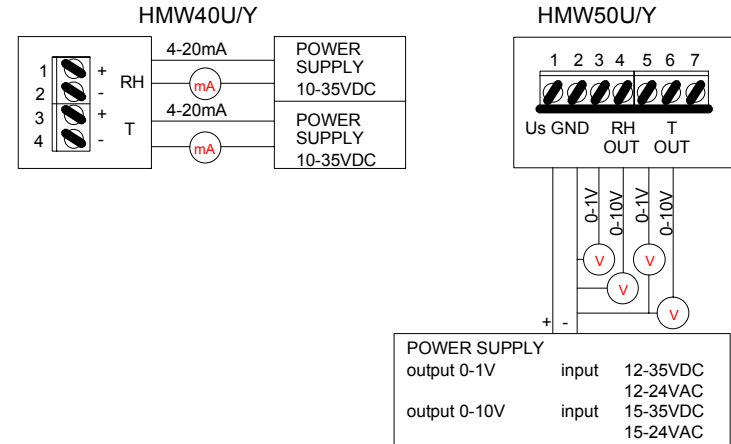
MOUNTING

Notice the sign  showing the correct mounting position.



Spare part sensor:
 INTERCAP 15778 HM
 15872 HM (membrane)

ELECTRICAL CONNECTIONS



If the air is dusty after mounting,
 protect the air holes with the cover.
 Remove it when the transmitter is
 taken into use.